

# MOVE

## MPX 50-12

12V-53Ah - Cyclic AGM Battery

**XTRA CAPACITY  
XTRA LIFETIME  
XTRA MILEAGE**



### APPLICATIONS

Powerchairs / home mobility equipment  
Scooters, 3- and 4 wheels  
Toys for children  
Lifts (stairs / bathrooms)  
Personal Carriers  
Utility Vehicles

### SPECIFICATIONS

Nominal Voltage	12V	
Nominal capacity @20 hour rate	53Ah	
Capacity at 25°C	10 hour rate	48Ah
	5 hour rate	44Ah
	1 hour rate	28Ah
Shelf time @20°C up to 70%	in months	9
Internal resistance (at 1 KHz)	approx. 7,4 mΩ	
Operating temperature for (dis)charge	-15°C to + 40°C	

### DIMENSIONS

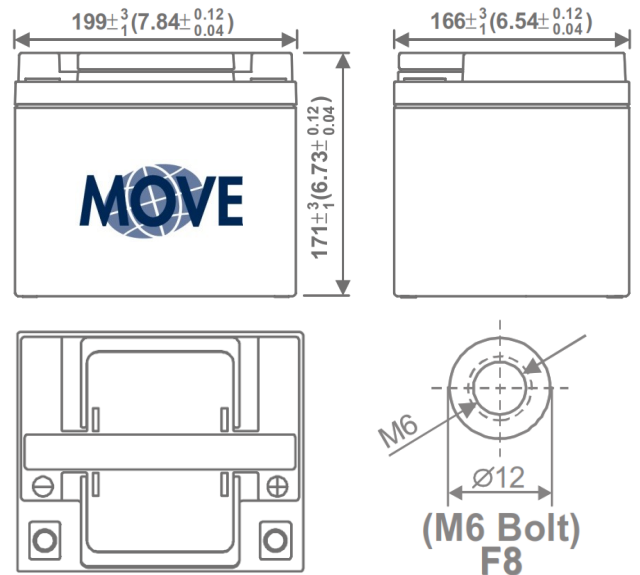
Dimensions LxWxH (T) in mm	199x166x171 (171)
Weight	14,3kg (±2%)
Separator	AGM, <b>Advanced Glass Matt</b>
Case and cover	ABS
Terminal	M6 Bolt
Torque setting (recommended)	M6 (copper): 4 Nm
Maximum allowable torque value	M6 (copper): 6 Nm

### CHARGING

Charging Voltage cycle use 14,4 to 15 Volt  
Float charge Voltage 13,5 to 13,8 Volt  
Charging current, minimum 6A - maximum 8A

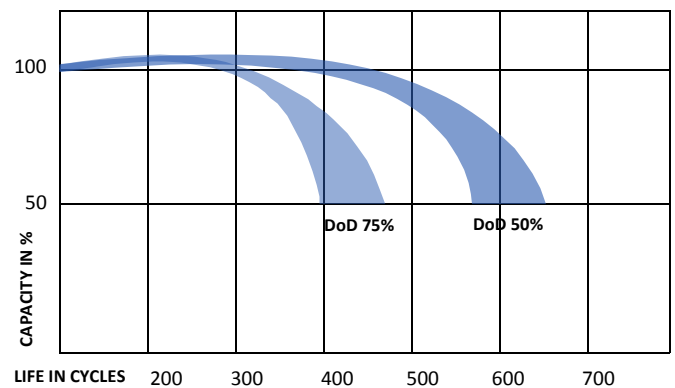
### CYCLE LIFE

To maximize the cycle life of the battery, we recommend to charge the battery fully after use. The total life of the battery, is very dependant on the correct charge and depth of discharge per cycle.



### BATTERY LIFE UNDER CYCLIC USE

Tested in conformance to the BCI testing method



\* Cycle life is measured with a discharge current 0,2C, charged 16h and rest capacity of 2/3 Cn